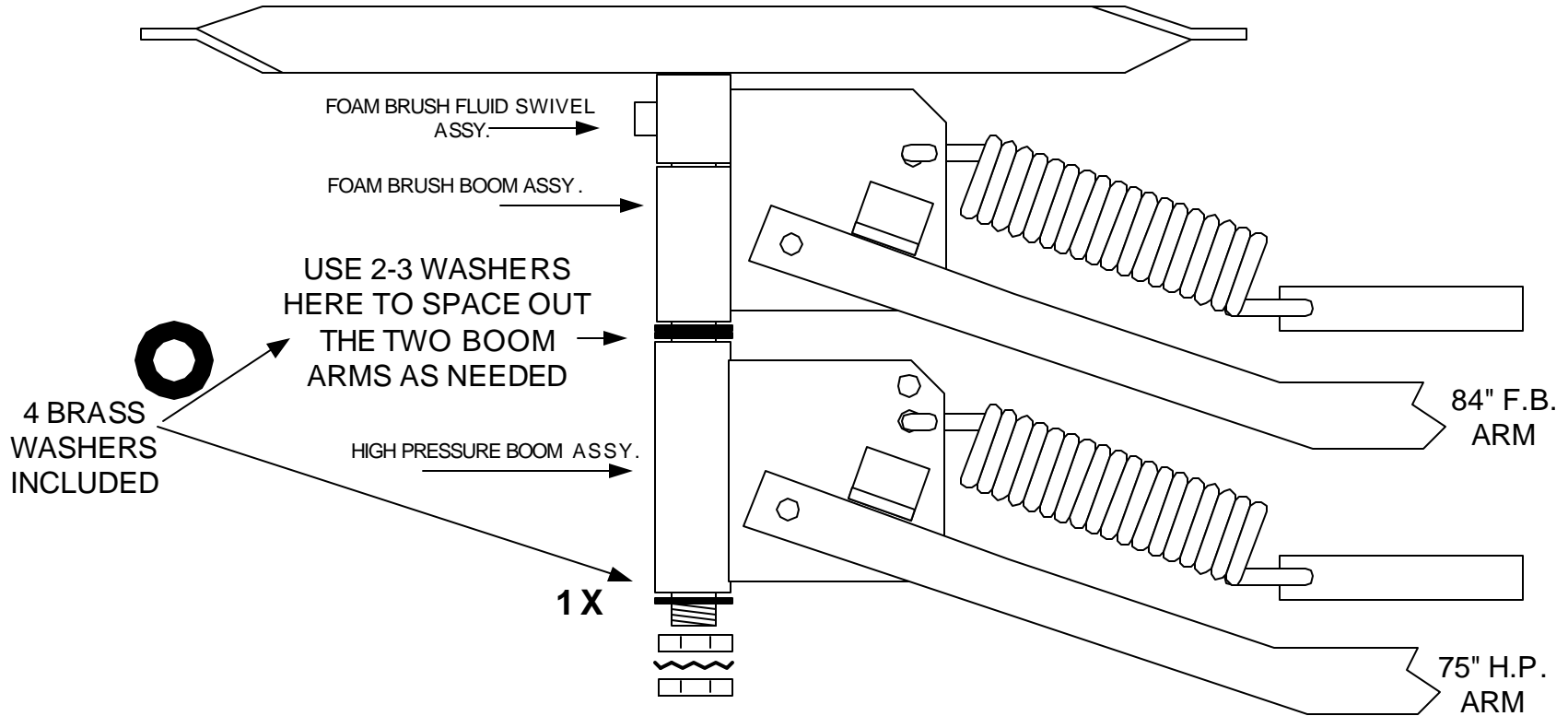


# FLUIDTEK BOOM SYSTEM

## COMPONENT CONFIGURATION DIAGRAM



Mount Spider at a tilted angle so the Boom Arms Home or end towards the same wall the H.P. Trigger Gun Wand Holder and F.B. Wand Holder are located. Usually the same wall as the Meter Box.