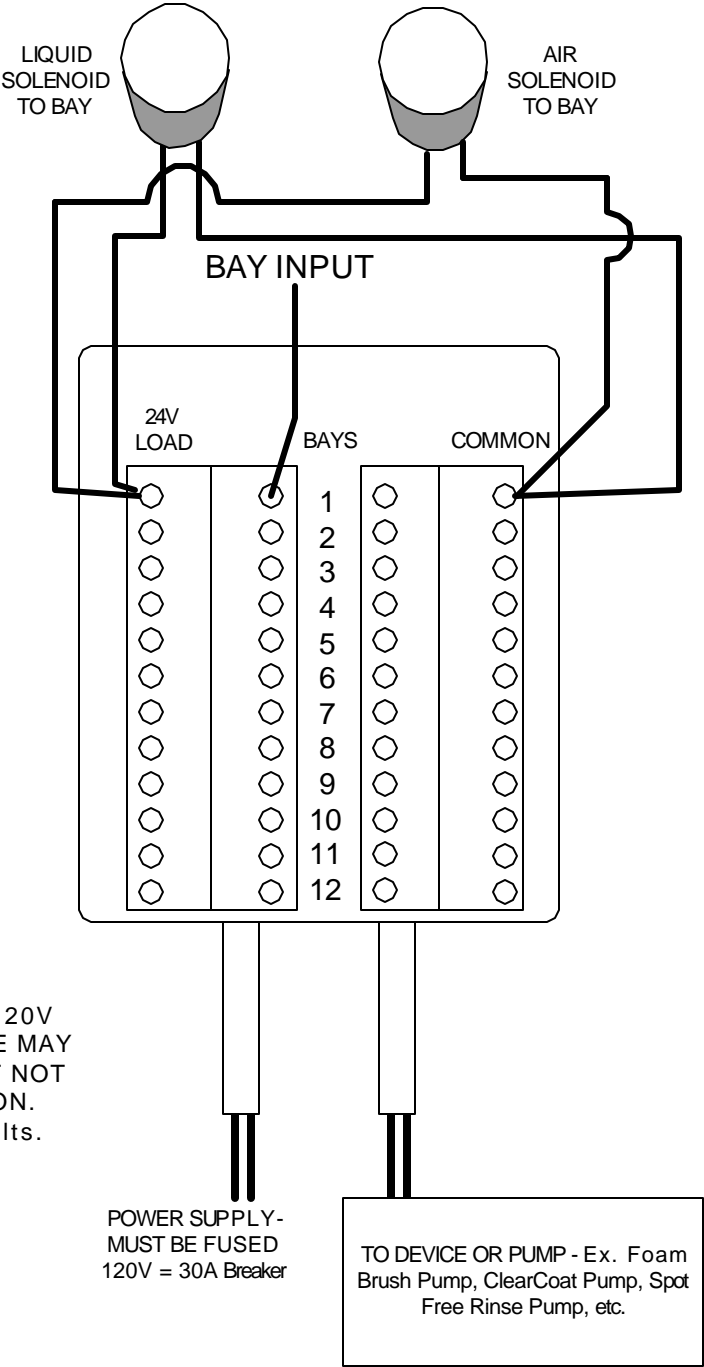


DH-12 LOW PRESSURE PUMP CONTROLLER

The DH-12 receives the 24 volt signal from the bay to operate another device. It either passes the signal through the internal 30 Amp relay, or passes 120/240 Volts through the relay. Example: 24 volt signal from bay turns on 240 Volt R.O.- Spot Free Rinse Delivery Pump.



NOTICE:
 THE DH-12 COMES EQUIPPED WITH 120V MALE AND FEMALE PLUG ENDS, THESE MAY BE CUT OFF IF NOT USING 120V, OR IF NOT REQUIRED FOR YOUR INSTALLATION. OPERATES ON 24 Volts or 120/240 Volts.