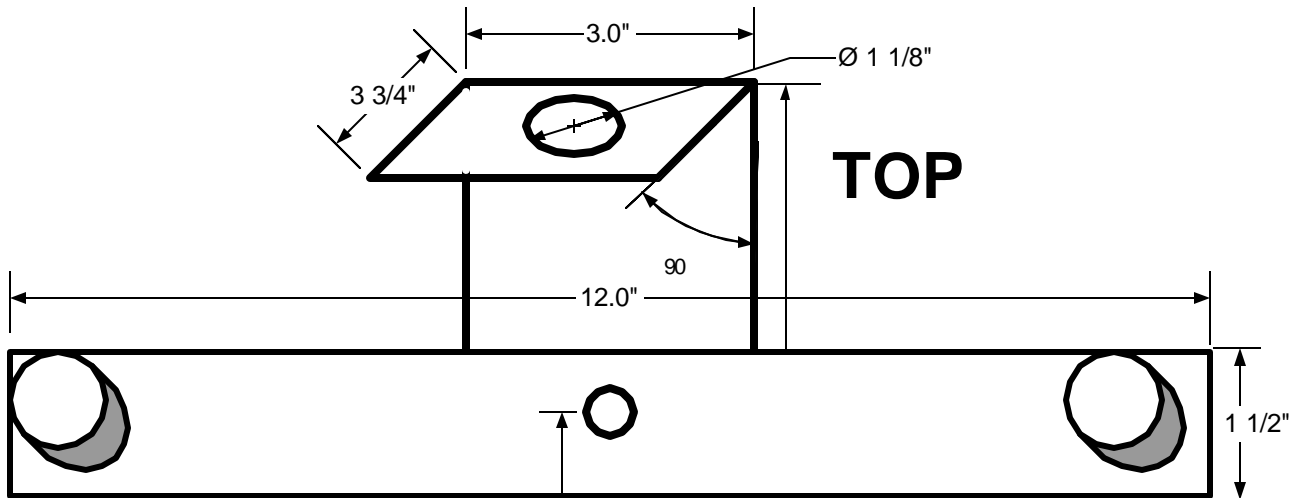


WALL MOUNT -- FOAM BRUSH



INSTALLING BUMPER BAR

PLACE A NUT $\frac{3}{8}$ " TO $\frac{1}{2}$ " THICK BETWEEN BUMPER BAR AND BOOM HOLDER TO SPACE OUT AS NEEDED TO AVOID BOOM FROM HITTING WALL.

