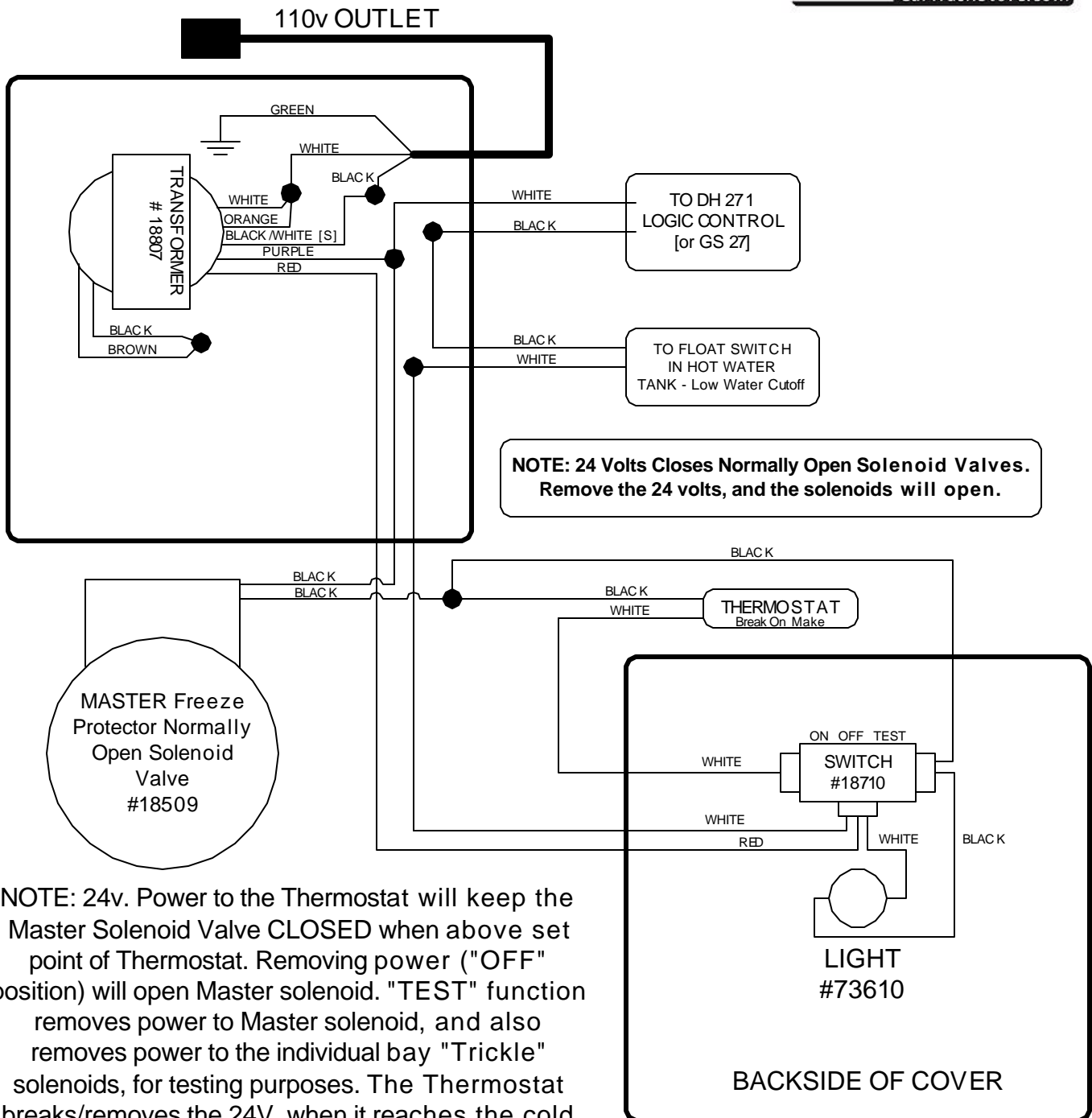


# FREEZE PROTECTOR

## Wiring Diagram



MASTER Freeze Protector Normally Open Solenoid Valve #18509

NOTE: 24v. Power to the Thermostat will keep the Master Solenoid Valve CLOSED when above set point of Thermostat. Removing power ("OFF" position) will open Master solenoid. "TEST" function removes power to Master solenoid, and also removes power to the individual bay "Trickle" solenoids, for testing purposes. The Thermostat breaks/removes the 24V. when it reaches the cold set point. In the event of a power outage, all solenoids will open, providing freeze protection.