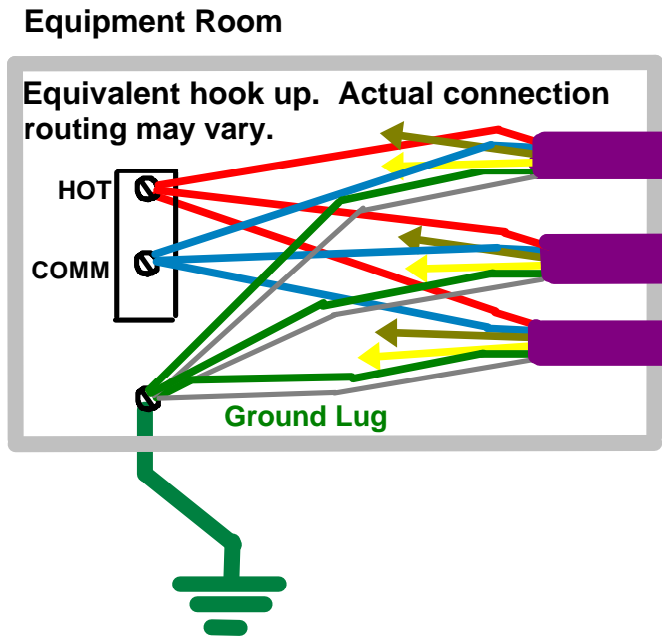
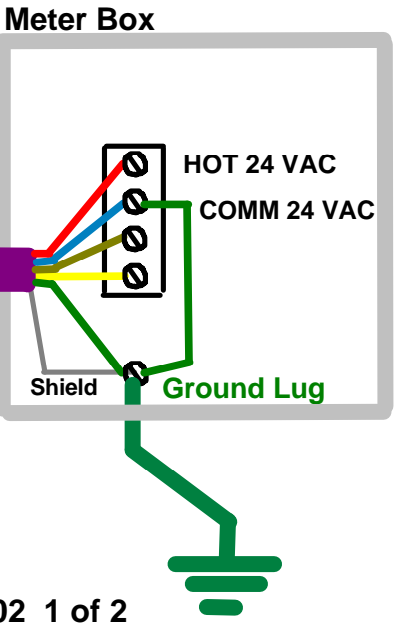
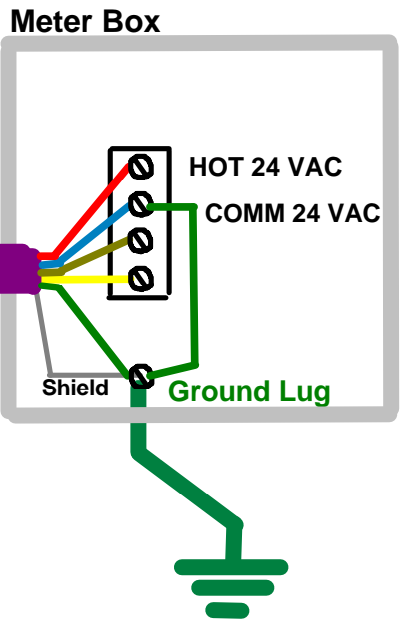
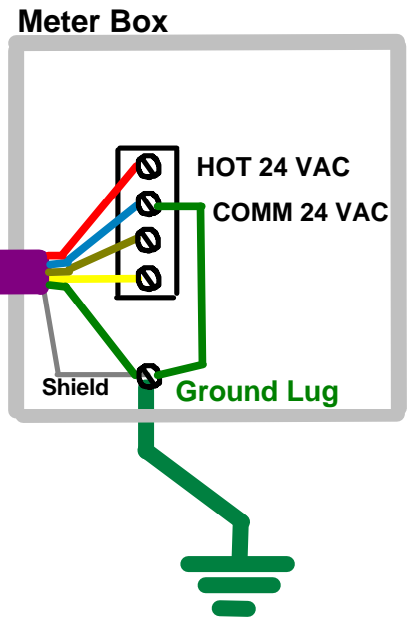


TECH NOTE ON GROUNDING D/H TOUCH SELECT II

For best performance of the
Touch Select II ground as shown.



Notes 1: Shield and Green Ground Wire are
Connected to Ground Lug in Equipment
Room.

Note 2: Shield, 24 VAC Common, and Green Ground Wire are
Connected to Ground Lug at Meter Box.

