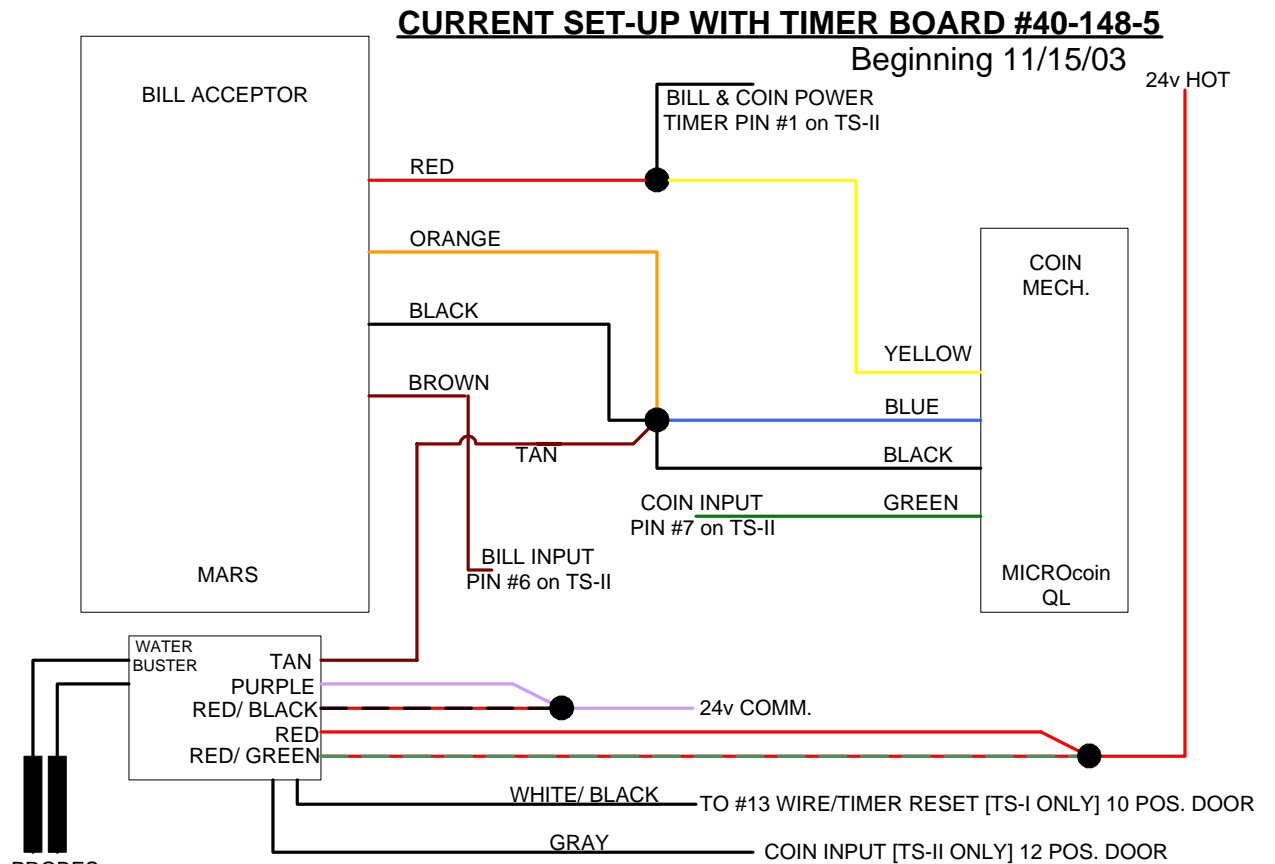
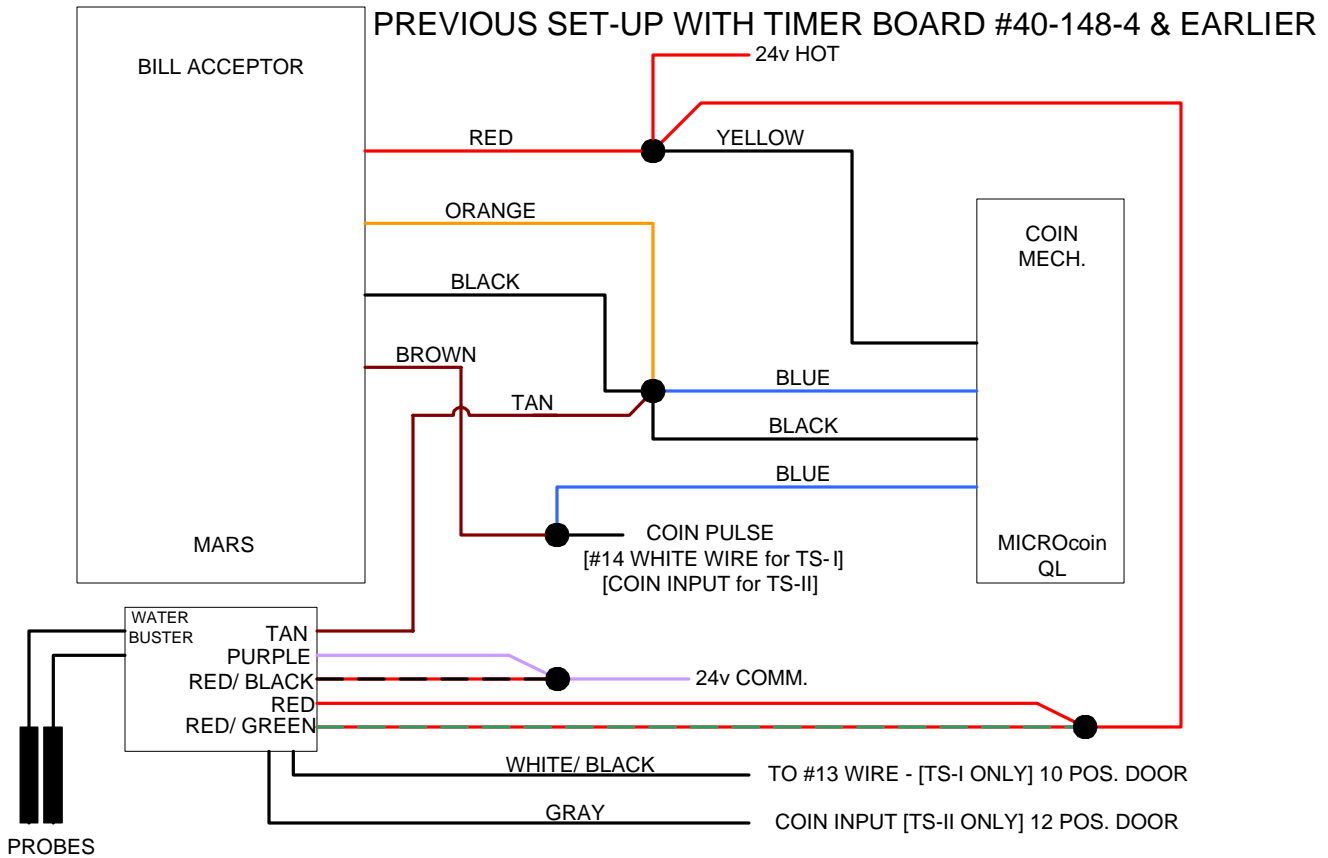


WATER BUSTER WIRING DIAGRAM & TouchSelect CPU/Timer Wiring Revision



THIS IMPROVEMENT WILL ALLOW SIMULTANEOUS INPUT FROM THE BILL ACCEPTOR AND COIN MECH. THESE BOARDS LOOK IDENTICAL BUT **ARE NOT INTERCHANGEABLE WITHOUT A WIRING CHANGE**. CHECK TIMER BOARD FOR PART NUMBER BEFORE MAKING WIRING CHANGES.