

Grant-Dilling-Harris

1701 Capital Ave., Plano, TX 75074 • 972/424-3531 • service@carwashstore.com

MAX-CHOICE

INSTALLATION AND START-UP

The MAX-CHOICE has 3 mounting holes in the dirt compartment and 4 in the control housing. Use suitable fasteners for your type of base. Level the unit for proper operation and connect the 120V hot wire from the breaker to the black wire on the unit. Connect the white neutral wire to the white wire of the MAX-CHOICE. The green chassis ground wire should be connected to the copper ground wire from the breaker panel.

Place Fragrance Bottle #1 on the upper left shelf, Fragrance Bottle #2 on the lower left floor of the unit, Fragrance Bottle #3 on the upper right shelf and the Shampoo Bottle on the lower right floor. Insert the corresponding hoses into each container bottle. Mount the door in the hinge slots and connect the plug from the unit to the plug on the door.

Remove the black cover to access the programming buttons and notice the red “LED’S” will be scrolling from top to bottom. Push and hold the reset button in the center of the main row of buttons until the lights stop scrolling.

SET THE START TIME

Select and push one of either the “VAC, FRAG, or SHAM” button to program that function. After your selection, corresponding light will be on. Push the START TIME button and set the length of cycle time for that function by pushing one of the two buttons to the left of the center reset button. The top button will increase the time and the lower button will decrease the total run time for that function.

SET THE PRICE TO START

Set the price to start for that function by pressing the COINS TO START button. The top button to the left of the reset button will increase the price to start and the lower button will decrease the price to start.

Repeat both procedures for the other two functions and press the center reset button to return to normal operation.

The MAX-CHOICE is programmed to accept quarters, dollar coins and, \$1.00, \$2.00 and \$5.00 bills. Tokens can be set for different values and must be programmed using at least ten of the operator’s sample tokens.

MAX-CHOICE

SETTING THE TIMER

Open the door of the MAX-CHOICE and remove the cover from the back of the timer. This will expose the lights, switches and display required to make these settings.

COINS TO START

VACUUM: Press and hold the reset switch, S4, until the red lights, on the timer, stop scrolling. The start time light, L3, and the vacuum light, L4, will be on. Press S2, coins to start switch. The time per coin light, L3, will go out and coins to start light, L2, will come on. There is a display on the timer to allow you to see what value you have set. To increase the price press S8 and to decrease the value press S9.

FRAGRANCE: Press S6, fragrance switch. The fragrance light, L5, will come on and the start time light, L3, will come on. Press the coin to start switch, S2, and the time per coin light, L3, will go out and the coins to start light, L2, will come on. Look at the display on the timer and set the coins to start using S8 to increase or S9 to decrease.

SHAMPOO: Press S7 and the shampoo light, L6, and the time per coin light, L3, will come on. Press coins to start switch, S2, and the coin to start light, L2, and the shampoo light, L6, will come on. Set the coins to start while observing the display and using the S8 and S9 switches.

SETTING THE TIME

VACUUM: Press and hold the reset switch, S4, until the lights on the timer stop scrolling. The start time light, L3, and the vacuum light, L4, should be on. Use the S8 and S9 switches to set your desired time for the vacuum.

FRAGRANCE: Press the fragrance switch, S6 and the start time light, L3, and the fragrance light, L5, should be on. Using S8 and S9 set your desired time while watching the display.

SHAMPOO: Press shampoo switch, S7, and the start time light, L3, and the shampoo light, L6, should be on. While observing the display, use S8 and S9 to set your selected time.

LOW TIME ALERT START TIME: Press both the fragrance switch, S6, and shampoo switch, S7, at the same time. The fragrance light, L5, and shampoo light, L6, should be lit. Using S8 and S9, and looking at the display, set the time, before the time expires, that you wish the alarm to come on. This could be set to come on 30 seconds before the time expires by programming 00:30.

LOW TIME ALERT STOP TIME: Press the vacuum switch, S5, and fragrance switch, S6, at the same time. The vacuum light, L4, and the fragrance light, L5, should both be lit. While using S8 and S9 set the time you want the alert to shut off while observing the display. If you wanted it to sound for 10 seconds, and you had programmed 30 seconds for it to start, just set it at 00:20 and that would be 10 seconds.

GRACE TIME ON/OFF: Press the vacuum switch, S5, and the shampoo switch, S7, at the same time. The vacuum light, L4, and shampoo light, L6, should both be on. While observing the display and using S8 and S9 set the length of time you wish the grace time to be on from 00:00 to 00:30 seconds.

COIN COUNT: To read the coin count press the coin count switch, S1, and observe the count on the display. To clear the count, it must be displayed, press and hold the reset switch, S4, until the count is cleared.

The timer will automatically go back into service after about one minute or you may press the reset switch, S4, and release and it will go back into service right away.

MAX-CHOICE

VACUUM, FRAGRANCE, SHAMPOO

PROBLEM SOLVER

Problem:

Possible Solution

1. Shampoo not working.
 - A. Check price setting in timer.
 - B. Switch on handle

 - C. Is Air Pump working?
(Bottom right hand motor)

 - D. Is the Soap pump working?

(Shampoo Relay ID:
motor.

Shampoo Relay has a Brown wire.)

Find switch wire connection inside control panel, connect the wires together. Test.
If Shampoo works, replace switch.
No? Is handle switch on?
No? Check connections on relays.
No? Move Shampoo Relay (#4) with another relay.
No? Check connections on relays.
No? Move Shampoo Relay (#4) with another relay.
No? Check power to motor, power good, replace

No? Check control door connection, check continuity of Brown wire through connector.
No? Check continuity between Brown wire on relays to Timer's #5 position.
Yes? Is there soap in the container?
Yes? Does the line from the Soap container to the pump full of soap?
Yes? Good.
No? Replace the hose inside the pump (D/H# 62305)

2. Fragrance not working.
 - A. Check price setting in timer.
 - B. Is Air Pump working?

 - C. Is the Fragrance pump working

No? Check connections on relays.
No? Move fragrance relay with another relay.
No? Check connections on relays.
No? Move Fragrance relay with another relay.
No? Check power to motor, power good, replace motor.
No? Check control door connection, check continuity of wires through connector.
Yes? Is there fragrance in the container?
Yes? Does the line from the fragrance container to the pump full of fragrance?
Yes? Good.
No? Replace the hose inside the pump (D/H# 22053)

Fragrance Relays ID:

Fragrance #1 = first relay, has Orange wire.

Fragrance #2 = second relay, has Gray wire.

Fragrance #3 = third relay, has Blue wire.

Fragrance timer connection positions:

Frag. #1 = #2 position on timer

Frag. #2 = #3 position on timer

Frag. #3 = #4 position on timer

Fragrance Motor ID: Fragrance #1 = Top Left hand Motor
Fragrance #2 = Bottom Left hand Motor
Fragrance #3 = Top Right hand Motor

3. Vacuum not working.

A. Check price setting in timer.

B. Is the Contactor relay pulling in? No? Check contactor coil connections, check coil's continuity.

No continuity = replace contactor.

No? Check the Yellow wire for continuity from contactor to #1 position on timer.

No? Check door connector for continuity.

No? Check Common wire for 24v AC.

No? Bad timer.

C. Manually engage Contactor, do the Vacuum motors start?

No? Check inline fuses to vacuum motors.

Fuses good = replace motor.

Yes? Re-Check section "B" above.

4. Voice not working.

A. Does it have power

No? Check for connection problems.

Yes? Check speaker wires for connection.

Yes? Bad Board.

B. Speaks English / Spanish only wants English.

Yes? Remove voice board cover, find "dip" switches, turn #2 off.

5. Money Problems.

A. Accepts Money (coin)

No? Check power connections to acceptor.

Yes, but no time given? Check all wires connected to timer position #14.

Yes? Bad Timer.

B Accepts Money (bills)

No? Check power connections to acceptor.

No? Check "dip" switches on the side, any turned on? Turn them off, re-program acceptor with programming card. (always keep "dips" OFF).

No? Is Bill acceptor flashing codes?

Yes? Follow code and repair.

Yes, but no time given? Check all wires connected to timer position #14.

Yes? Bad Timer.

Notice: This is just a guide of common issues, not everything can be listed for every possible problem. If you have a problem not listed please call your Distributor or Dilling-Harris Technical Support.

GDH

1701 Capital Ave.

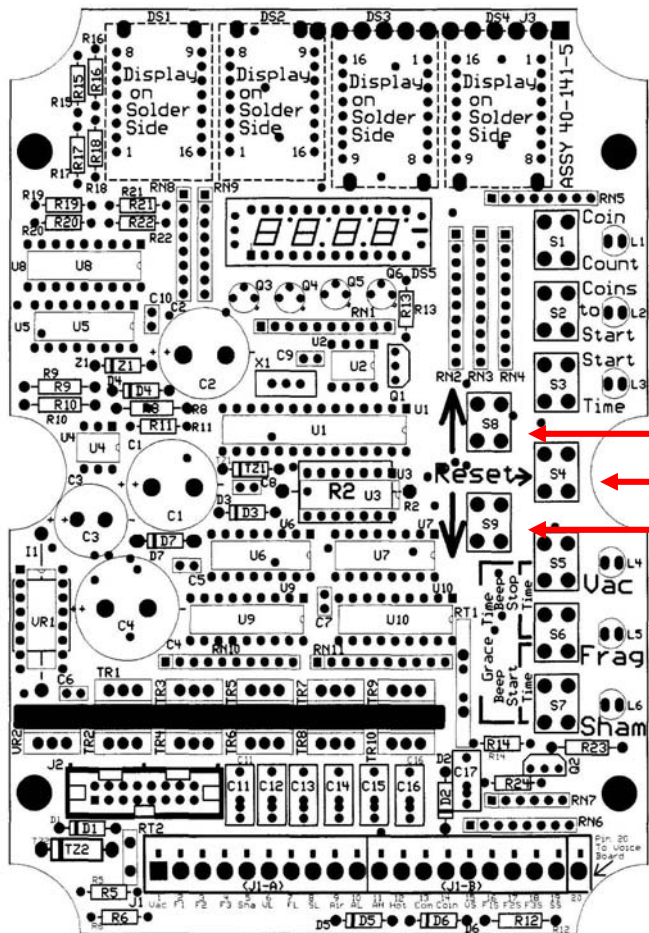
Plano, TX 75074

972/424-3531

service@carwashstore.com

MAX-CHOICE TIMER BOARD

BUTTONS FOR SETTING TIME AND MONEY TO START



Switch 1 (S1) and light 1 (L1)
Switch 2 (S2) and light 2 (L2)

Switch 3 (S3) and light 3 (L3)
Adjustment switch "Up" (S8)

Programming Switch 4 (S4)

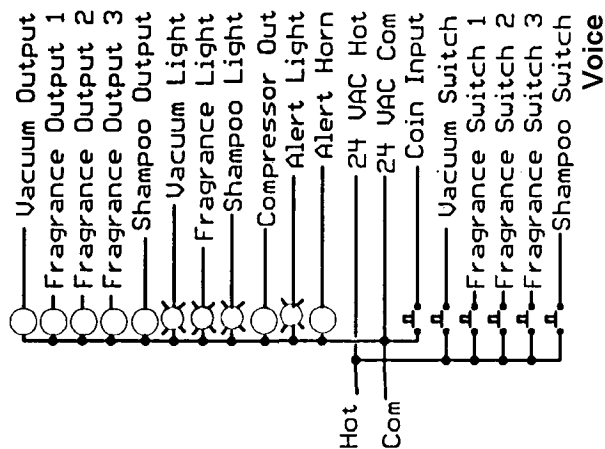
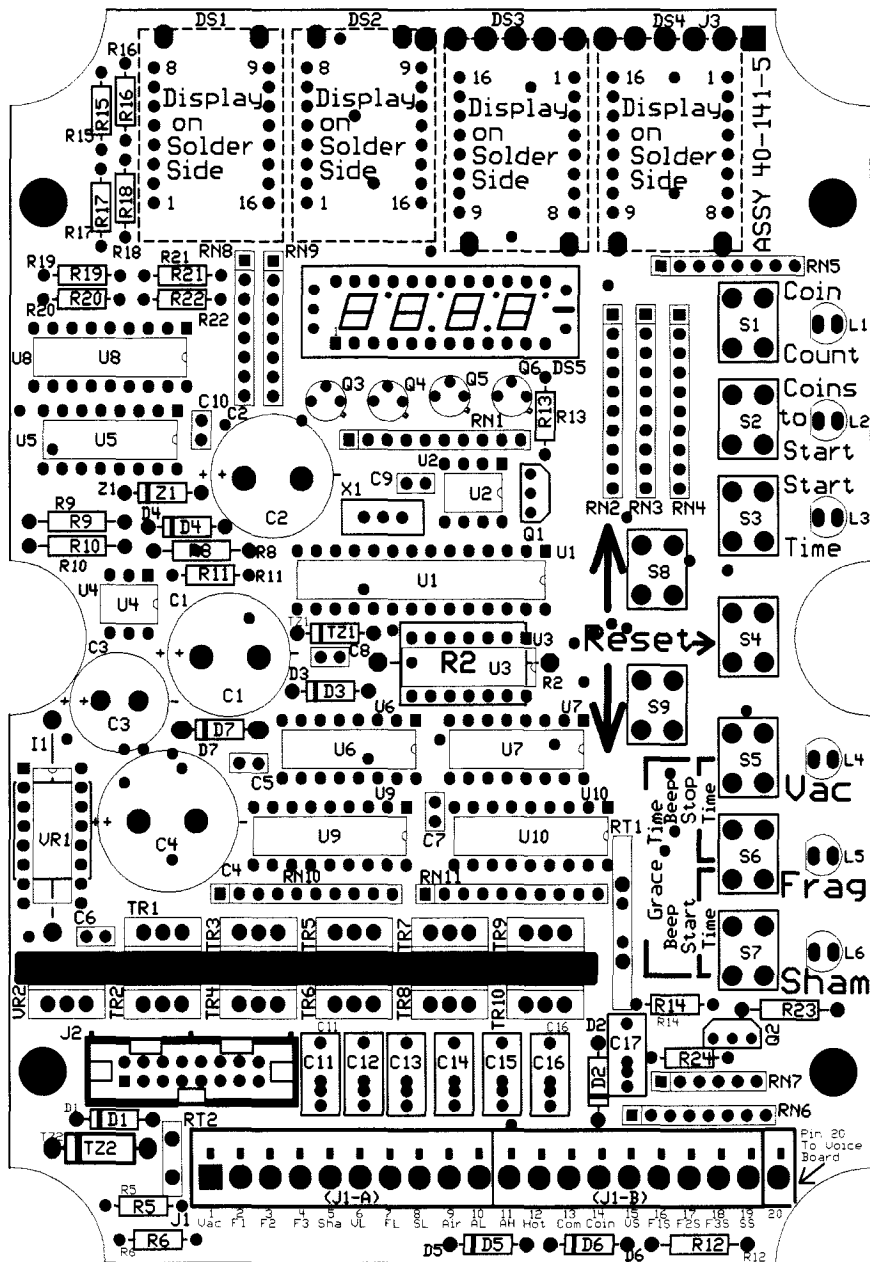
Adjustment switch "Down" (S9)

Switch 5 (S5) and light 4 (L4)

Switch 6 (S6) and light 5 (L5)

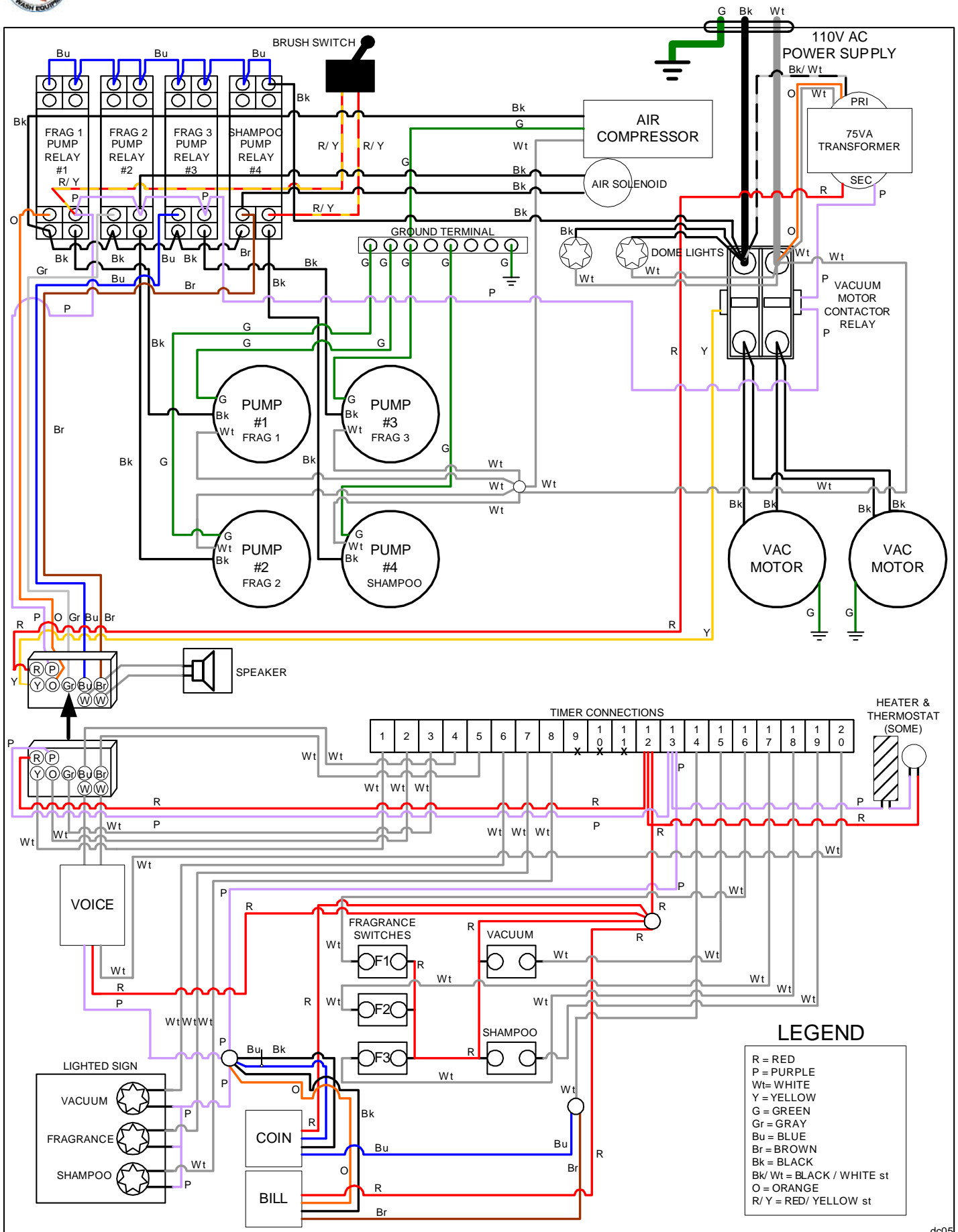
Switch 7 (S7) and light 6 (L6)

Follow directions provided to set your timer.



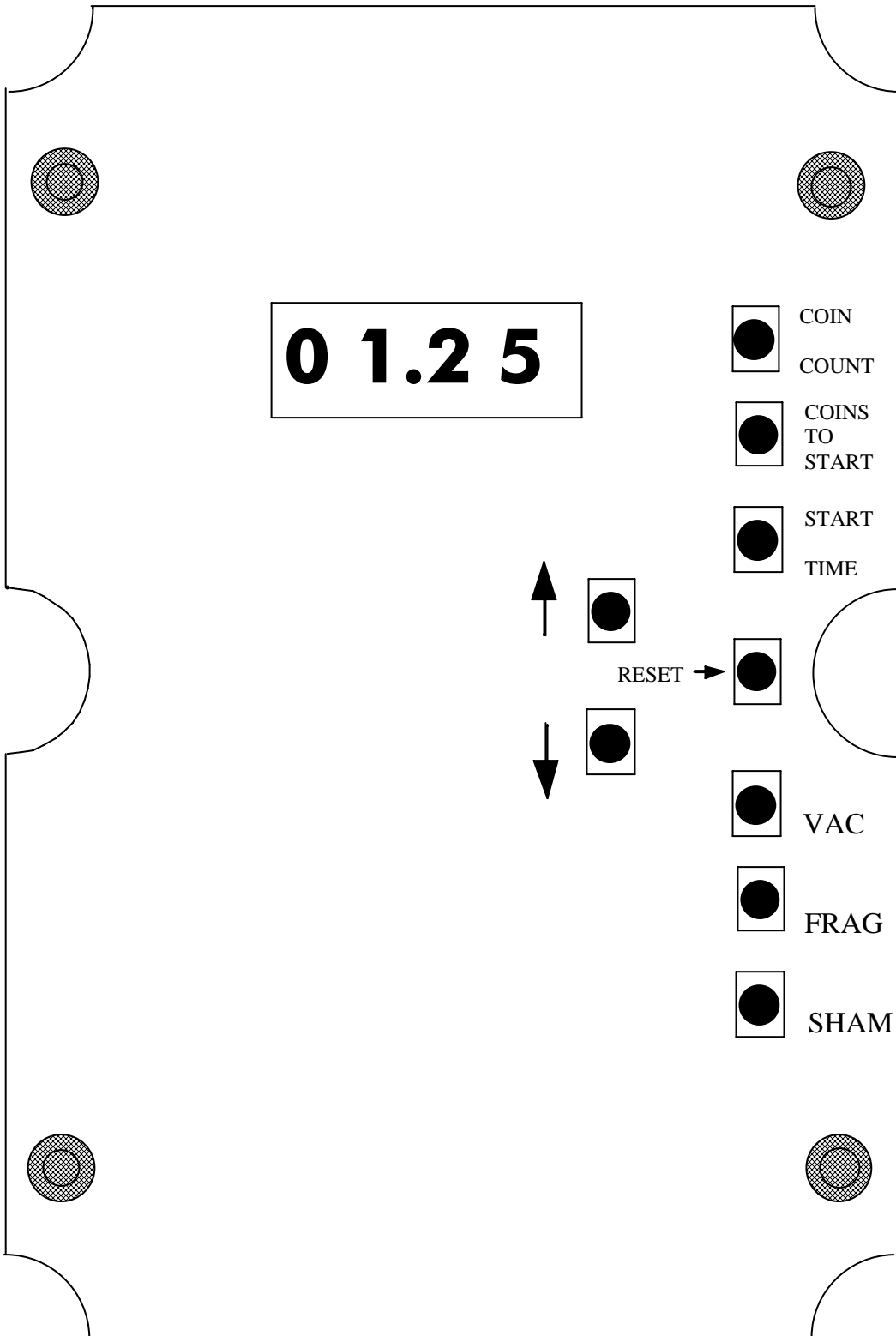


WIRING SCHEMATIC FOR MAX CHOICE



LEGEND

- R = RED
- P = PURPLE
- Wt = WHITE
- Y = YELLOW
- G = GREEN
- Gr = GRAY
- Bu = BLUE
- Br = BROWN
- Bk = BLACK
- Bk/ Wt = BLACK / WHITE st
- O = ORANGE
- R/ Y = RED/ YELLOW st



MAX-CHOICE REPLACEMENT PARTS

TIMER	77770
COIN ACCEPTOR (MICRO COIN QL)	28600
BILL ACCEPTOR (MARS)	19845
VAC. MOTOR	20391
PUMP, SHAMPOO-FRAG	17940
PUMP ROLLERS FOR SHAMPOO	35075
COMPRESSOR	30006
AIR SOLENOID	18550
TRANSFORMER	18808
CONTACTOR RELAY	18454
FUSE, 10AMP	20315
PUSH BUTTON SWITCH	18674
SHAMPOO BRUSH SWITCH	18721
RELAY, IDEC 24V	28331
VACCUUM BAGS	31255
TRASH LINER	20444
DOME LIGHT	18158
VAC. NOZZLE (METAL)	20237
VAC. MOTOR GASKET	20373
VAC. DOOR GASKET	20482
SHAMPOO PUMP HOSE (INSIDE PUMP)	62305
FRAGRANCE PUMP HOSE (INSIDE PUMP)	22053
CHEMICALS:	
SHAMPOO	29137
NEW CAR SMELL	13211
PINA COLADA	13227
WILD CHERRY	13228
BRUSH ASSEMBLY W/ HOSE	31050
FRAG. GUN ASSEMBLY W/ HOSE	31047

TO ORDER ANY PARTS CALL CUSTOMER SERVICE 972/424-3531